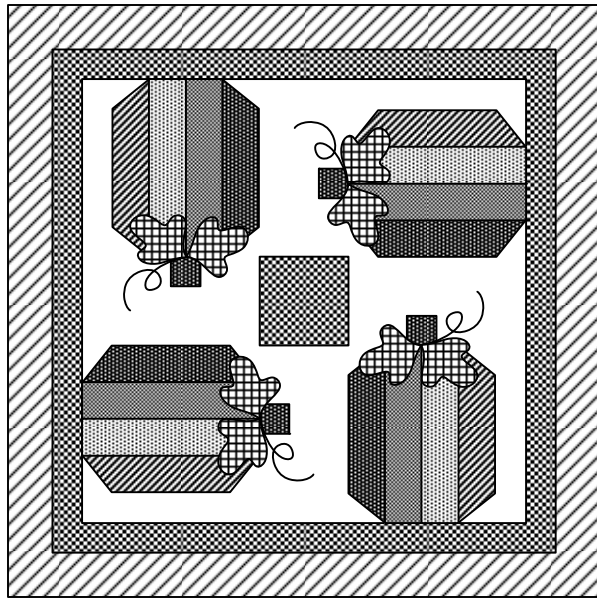


Lil' Pumpkin

Lil' Pumpkin 1

Finished Size: 20" x 20"



Fabric Needed:



background	1/4 yard
pumpkins	1 3/4" strips of 4 fabrics
stem	scrap
leaves	scraps
fusible web	1/8 yard
vine	cording / yarn
center / inside border	1/8 yard
outside border	1/6 yard
back	24" x 24"
binding	1/6 yard
cotton batting	22" x 22"

Cutting Instructions: (**Strips:** are cut selvage to selvage. **Segments:** are cut from the strips to provide the pieces needed.)

Note: If you want your back and binding to be the same fabric, the total will be 2/3 yard.

1. Background - Cut 1 - 6 1/2" strip. Cut into segments: 1 - 3 1/2" (C), 5 - 2 1/2" (1B - 4A), 4 - 1 1/2" (D).
Cut 1 - 1 3/4" strip. Cut into segments: 16 - 1 3/4".
2. Pumpkins - Cut 1 - 1 3/4" strips of 4 fabrics.
3. Stem - Cut 1 - 1 1/2" x 6 1/2" piece.
4. Center / Inside border - Cut 1 - 3 1/2" x 3 1/2".
Cut 2 - 1 1/2" strips. Cut into segments: 2 - 17 1/2" and 2 - 15 1/2".
5. Outside border - Cut 2 - 2" strips.
Cut into segments: 2 - 20 1/2" and 2 - 17 1/2".

Sewing Instructions: (All seams are 1/4" - Press after each seam)

1. Pumpkins - Refer to Diagram 1.
 - (a) With RST (right sides together), stitch 2 strips together. Repeat with remaining 2 strips. Stitch strip units together. Cut into segments: 4 - 6 1/2".
 - (b) Mark diagonal lines on back of 16 - 1 3/4" background squares. Lay RST on all corners of pumpkin. Stitch **on** the lines. Trim 1/4" from stitching to remove corners.
 - (c) Press to corners. Repeat with all pumpkins to make 4.
2. Stem - Refer to Diagram 2.

Stitch stem piece between B & C background pieces lengthwise.
Press to stem.
Cut into segments: 4 - 1 1/2".

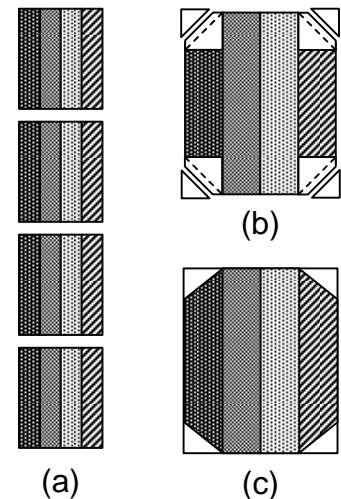


Diagram 1

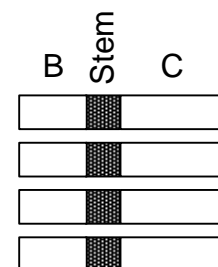


Diagram 2

Sewing Instructions continue:

- Block construction - Refer to Diagram 3.
Stitch D piece to right side of pumpkin.
Stitch stem unit to top of pumpkin. Make sure that stem is centered on top of pumpkin.
Stitch A piece to top of stem unit.
Repeat to make 4 pumpkin blocks.
- Leaves / Vines -
Refer to appliqué instructions below. Make 8 leaves.
Press leaves into place putting ends of vines under leaves.
Finish edges.
Stitch vines into place.
- Construction - Refer to Diagram 4.
Press to block center after each seam.
 - Stitch 1 pumpkin to center block.
End stitching about half-way down.
 - Stitch 2nd pumpkin to side of center block.
 - Stitch 3rd pumpkin to side of center block.
 - Stitch 4th pumpkin to side of block center.
 - Finish stitching 1st pumpkin seam.
- Inside Border - Stitch 15 1/2" border pieces to left and right sides.
Press to border.
Stitch 17 1/2" border pieces to top and bottom.
Press to border.
- Outside Border - Stitch 17 1/2" border pieces to left and right sides.
Press to border.
Stitch 20 1/2" border pieces to top and bottom.
Press to border.
- Quilt and Bind.

Fusible Web Interfacing (Raw Edge Appliqué):

- Make a template using template plastic.
- Mark leaf pattern on paper side of fusible web.
You can mark leaves as close as you desire.
- Iron onto **back** side of fabric, make sure fusible web is not larger than fabric.
If it is larger it will get on your iron and ironing board.
- Cut out leaves on marked lines.
- Remove paper backing.
- Position and iron into place. *Remember to put the vine under the leaf.*
- Finish edges as you desire. (We recommend using close finishing stitches because of the raw edge.)
Note: If your finishing stitches are close together, you can use a regular piece of type paper underneath your fabric to keep it from pulling and bunching. When finished sewing, rip paper off the back.

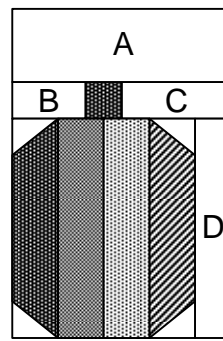
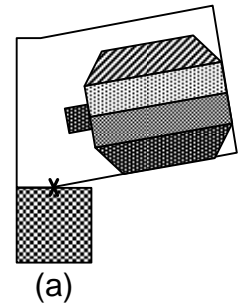
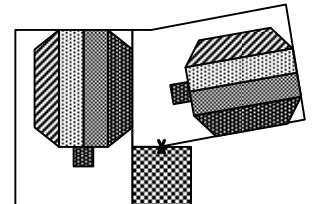


Diagram 3

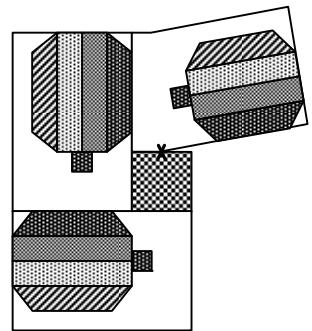
Lil Pumpkin 2



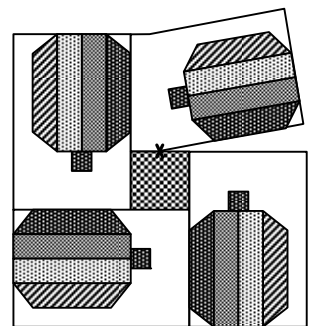
(a)



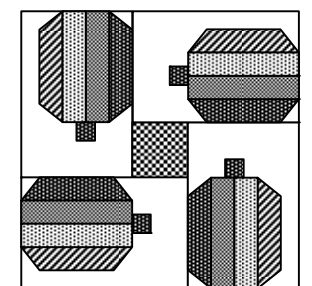
(b)



(c)



(d)



(e)

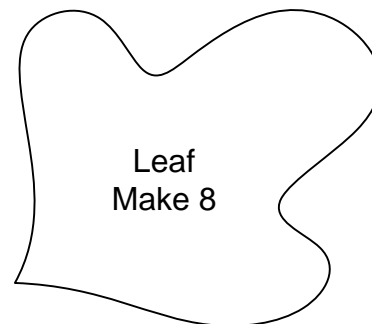


Diagram 4